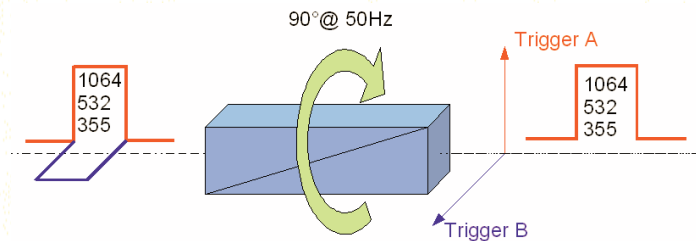
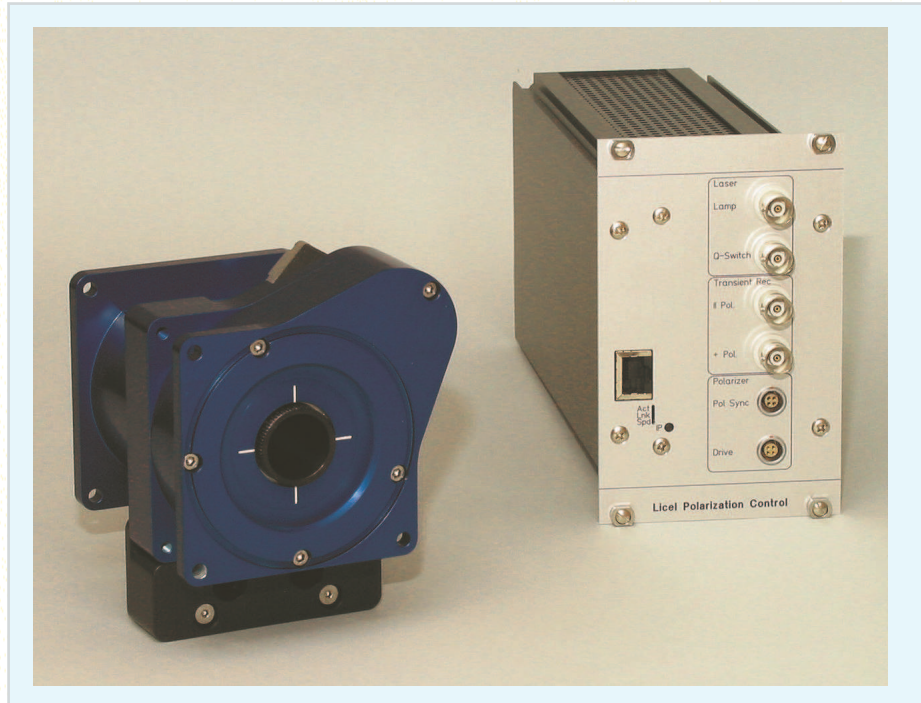


Rotating Polarizer

Multispectral polarization measurements



Concept:

The Licel Rotating Polarizer adds (de-)polarization measurements to multispectral detection systems.

A rotating Glan Thompson prism is used to separate p- and s-polarized signal contributions.

The integrated trigger generator synchronizes the laser flashlamp and Q-switch pulses.

Features:

- optical transmission 210 nm to 2.3 μm
- extinction 5×10^{-5} - 5×10^{-6}
- 20 mm clear aperture
- integrated trigger generator for
 - laser flashlamp
 - acquisition
 - Q-switch
- Ethernet interface

Specifications

Optics:

Polarizing material: α -BBO or Calcite
 Optical transmission : 200 nm - 2 μ m
 Extinction: 5×10^{-6} @220..900nm α -BBO
 5×10^{-5} @350..2300nm Calcite
 Acceptance angle: >15° (full angle)
 clear aperture: 20 mm

Mechanics:

Rotation speed: 0.08 Hz - 12.5 Hz
 Minimum step: 0,1°
 Interface to Thorlabs 2" lens tube system

Trigger generator:

Laser lamp out : 5V into 50 Ω , BNC
 Lamp out frequency: 0,32 Hz - 50 Hz
 Acquisition out : 5V into 50 Ω , BNC
 Acquisition out delay: 0.2 μ s - 13104 μ s
 Q-switch out: 5V into 50 Ω , BNC
 Q-switch out delay: 0.013 μ s - 819 μ s

Software:

LabView source code: Adjustable trigger for laser and acquisition control.
 Individual trigger enable for each polarizer orientation.
 Absolute angular positioning.

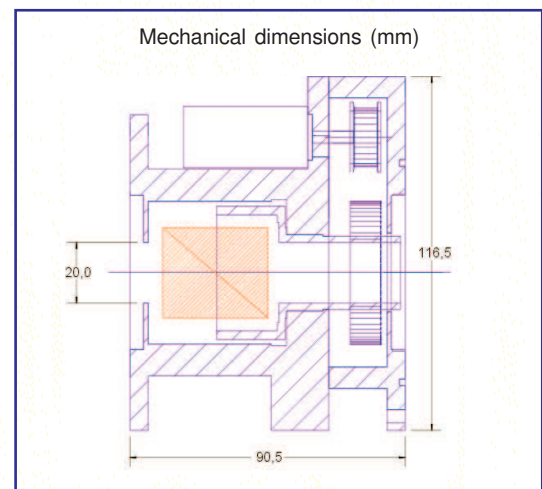
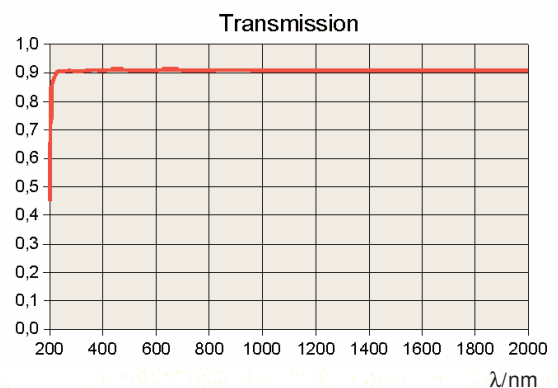
Data Interface:

Ethernet: 10/100 MB/s

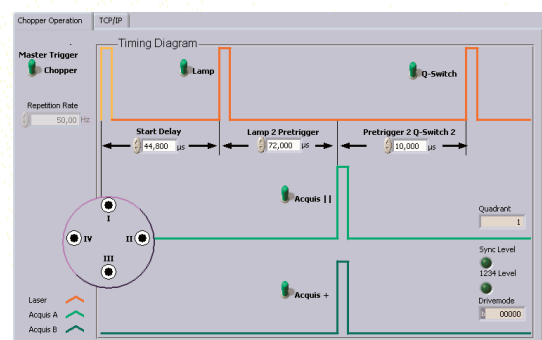
Power supply: 85-240V, 43-67 Hz

Environmental conditions:

Operating temp.: 0°C to 30°C (non condensing)
 Storage temperature: -40°C to 70°C



Software



International distribution:

USA:

Boston Electronics Corp.
 91 Boylson Street
 Brookline MA 02445

phone (800)347-5445
 fax (617)731-0935
 e-mail: boselec@boselec.com
 www.boselec.com

Asian Pacific Rim:

Electronics Optics Res., Ltd.
 3-fl., Onoda Building,
 4-26-19, Koenzi-Minami-Ku
 Tokyo 166, Japan

phone 03-3314-5699
 fax 03-3314-2333
 email: eor@tkd.att.ne.jp
 www.eor.jp

United Kingdom:

Photonic Solutions PLC
 Gracemount Business Pavilions,
 40 Captains Road,
 Unit A2/A3, Edinburgh, EH17 8QF

phone: 0131 664 8122
 fax: 0131 664 8144
 email: sales@psplc.com
 www.psplc.com

other countries:

Licel GmbH
 Chausseestr. 34/35
 D-10115 Berlin

phone +49.30.283 917 37
 fax +49.30.283 917 38
 e-mail: info@licel.com
 www.licel.com