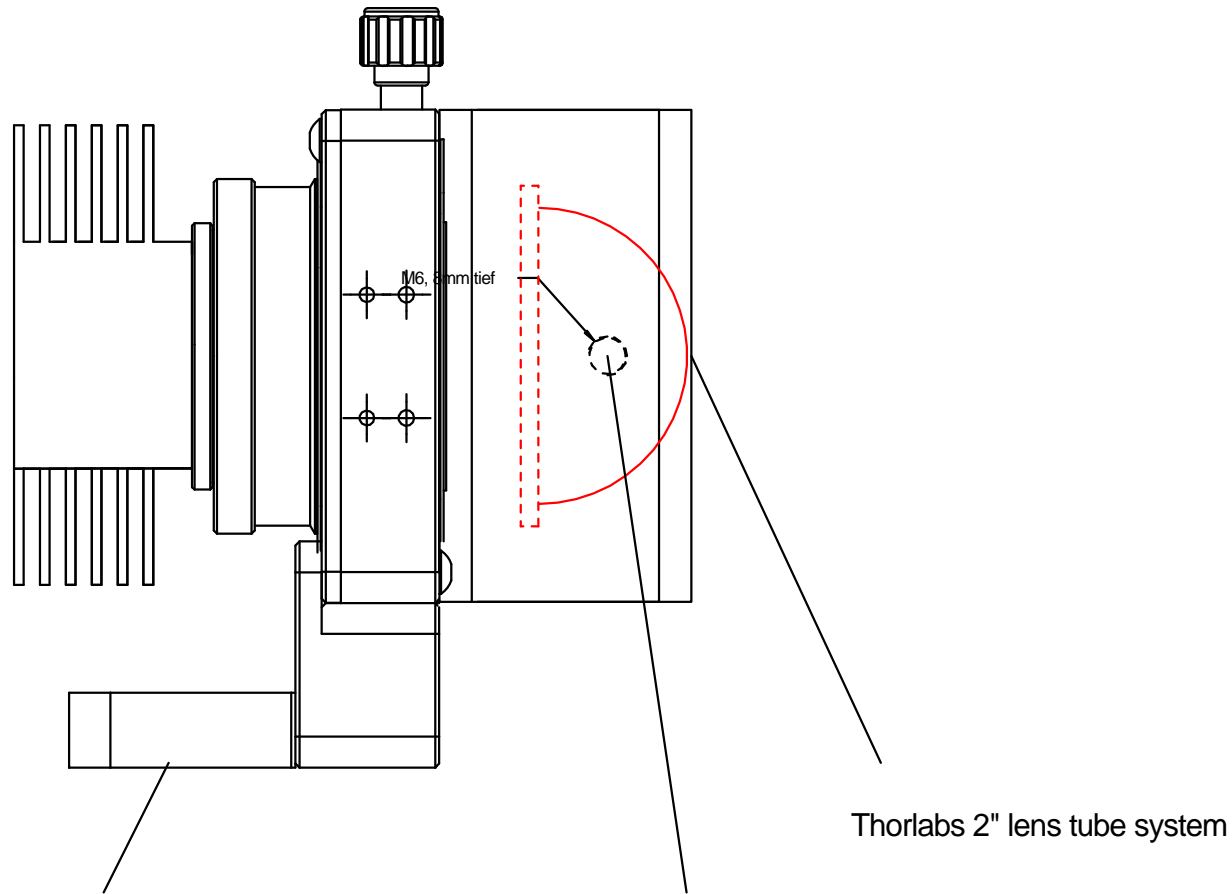


Licel APD Module, mounting options

The Licel APD module has the following mounting options:

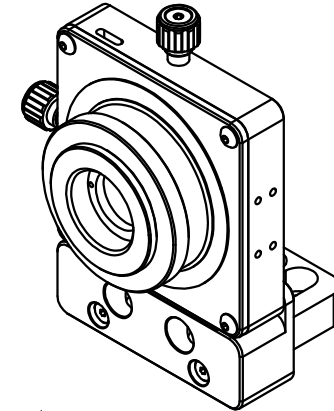
1. A 2" Thorlab Lens Tube can be installed in front of the collimating lens.
This is the primary option for all additional optics and a light proof tubing.
2. At the lens holder a M6 and a M8 bearing is available for a mounting post
3. The breadboard mount is the preferred option used to mount the unit mechanically



Breadboard mount

M6 and M8 bearing in lens holder

XYZ mount without APD
(for clarity only):



Breadboard mount - bottom view

