

Licel Transient Recorder Mounting

Licel GmbH

October 22, 2008

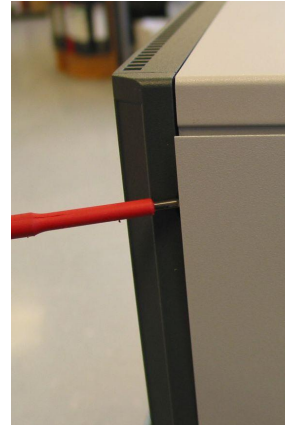
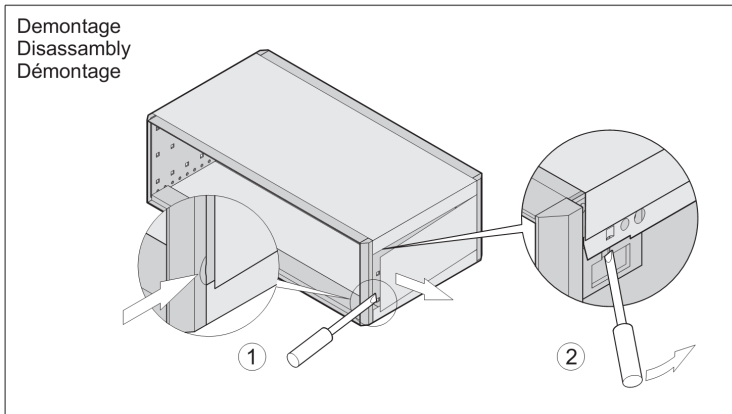
Contents

- 1 Opening Rack6 (Produced after July 2008) 2**
- 2 Old Rack 6 Opening (Produced before July 2008) 4**
 - 2.1 Plastic cover removal 4
 - 2.2 Upper rack cover removal 4
 - 2.3 Open the rear side 5
- 3 Removing a transient recorder 6**
 - 3.1 Cable 6
 - 3.2 Front Panel screws 6
- 4 Opening the transient recorder 8**

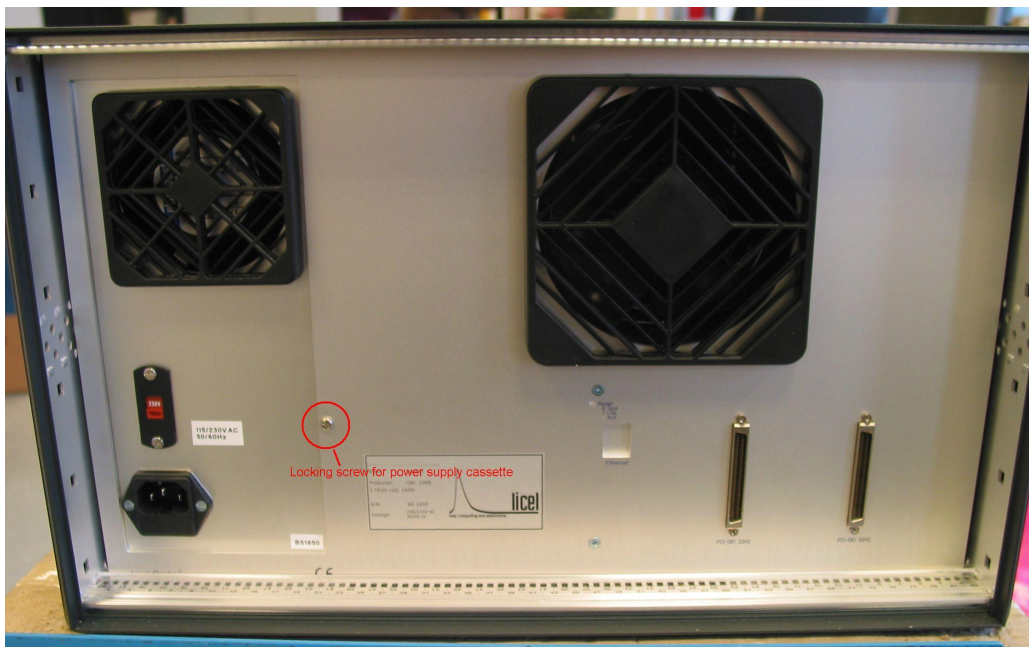
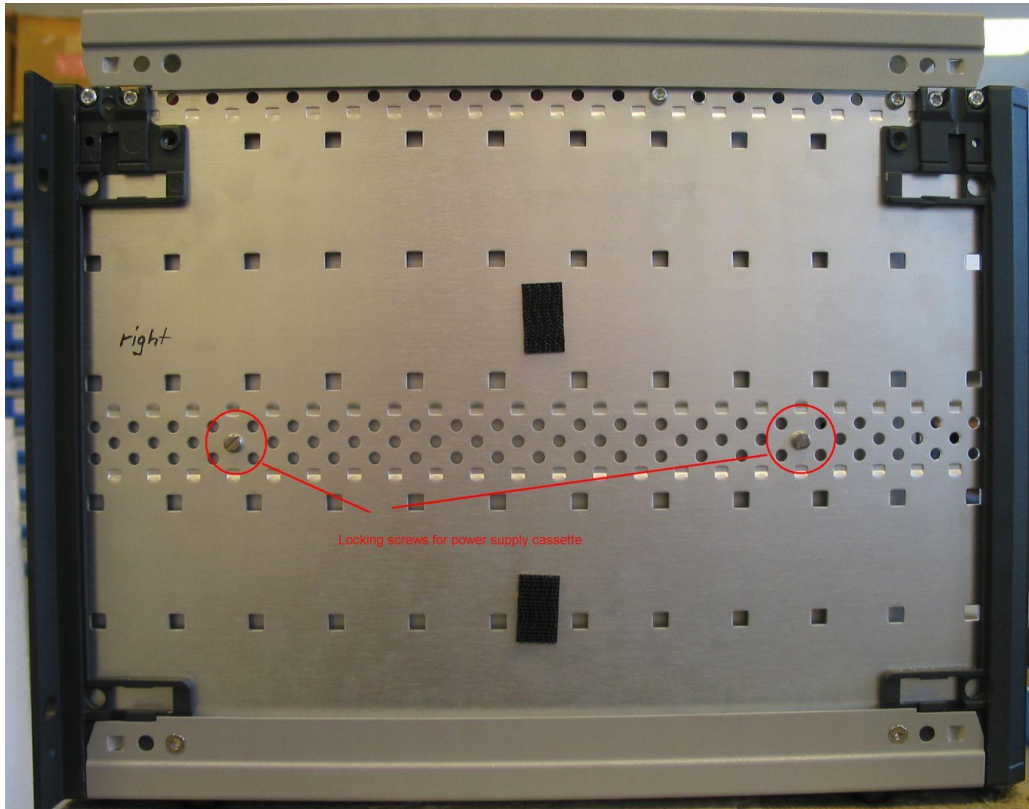
Chapter 1

Opening Rack6 (Produced after July 2008)

The side panels and the top panel of the Schroff Ratiopack housings are fixed using a pair of lids on each side. To remove the side panel gently lift the panel using a screwdriver close to the location of the lids.



The power supply cassette is fixed with 2 screws through the side panel of the rack and an additional screw on the rear side of the rack. Before removing the power supply cassette from the rack, please open the 3 screws shown below.



Before any transportation of the rack, please make sure that the locking screws are installed again to prevent mechanical stress on the front panel and the front panel screws in case of a rough transport.

Chapter 2

Old Rack 6 Opening (Produced before July 2008)

2.1 Plastic cover removal

The first step when opening a Rack6 is to remove the plastic covers at the rear side.



Remove the four marked black screws that keep the plastic cover.

2.2 Upper rack cover removal

Remove then upper cover,



The upper cover has a grounding connection which becomes visible when the cover is opened. One should open this connection then.

2.3 Open the rear side

Remove then the six screws at the perimeter of the rear side and one screw that fixes the rear side relative to the power supply.

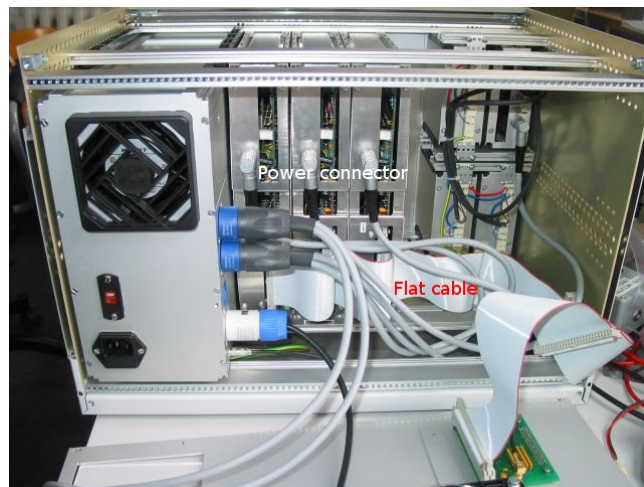


Chapter 3

Removing a transient recorder

3.1 Cable

Disconnect the power and the flat cable from the transient recorder.



3.2 Front Panel screws

After removing the four front panel screws one can take out the transient recorder.



Chapter 4

Opening the transient recorder

Remove the four screws that keep sidecover.



Press the then visible Photon-Counting board.

